



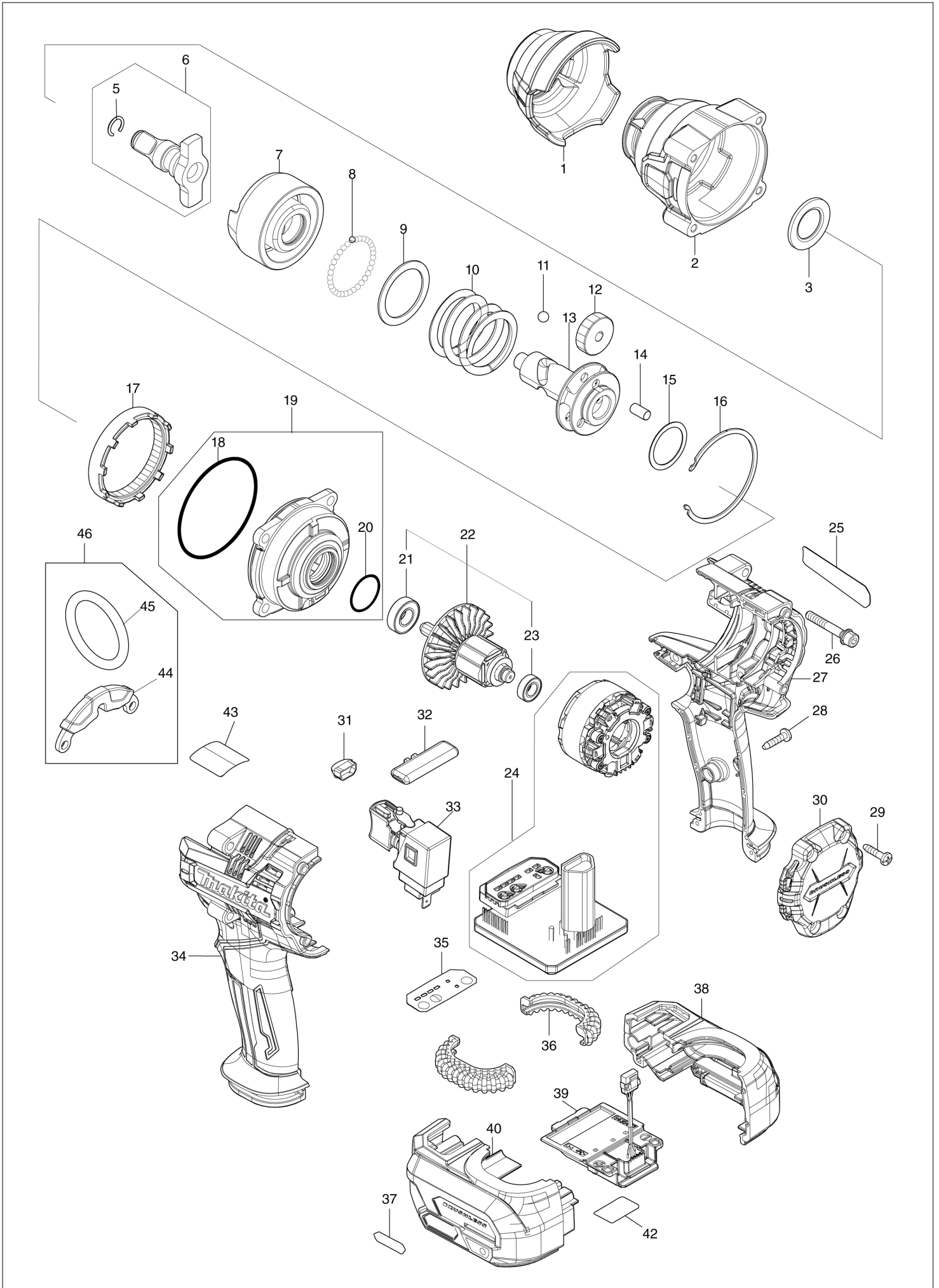
SE	SWEDEN
----	--------

Diagram / Parts List

TW007G

CORDLESS IMPACT WRENCH

(SE) TW007G / CORDLESS IMPACT WRENCH



SE	SWEDEN
-----------	---------------

TW007G / CORDLESS IMPACT WRENCH

Item	Sub	Parts No.	Parts Description	Qty	I/C	E/C No.	Close No.	Remark
001		422709-8	BUMPER	1				
002		141A99-3	HAMMER CASE COMPLETE	1				
003		253481-9	FLAT WASHER 20	1				
005		231907-1	RING SPRING 10	1				
006		136410-6	ANVIL E ASSY	1				
	D10		INC. 5					
007		327804-8	HAMMER	1				
008		216001-0	STEEL BALL 3.5	33				
009		267340-1	FLAT WASHER 32	1				
010		232708-0	COMPRESSION SPRING 34	1				
011		216007-8	STEEL BALL 6.4	2				
012		227891-6	SPUR GEAR 28	3				
013		327805-6	SPINDLE	1				
014		256211-7	PIN 6	3				
015		267494-4	FLAT WASHER 25	1			D9063	
015-1		267127-1	FLAT WASHER 26	1	O	D9063		
016		347832-7	RETAINER	1				
017		227892-4	INTERNAL SPUR GEAR 65	1				
018		213709-7	O RING 63	1				
019		136420-3	INTERNAL GEAR CASE ASSY	1				
	D10		INC. 18,20					
020		213961-7	O RING 22	1				
021		210069-8	BALL BEARING 6900DDW	1				
022		519691-1	ROTOR ASSY	1				
	D10		INC. 21,23					
023		210261-6	BALL BEARING 688LLB	1				
024		629A72-8	STATOR COMPLETE	1				
025		811F51-2	TW007G NAME PLATE	1				
026		251476-6	H.S.H.BOLT M5X35 WITH WR	4				
027		183S74-1	HOUSING SET	1				
	D10		INC. 34					
028		266326-2	TAPPING SCREW 4X18	7				
029		266326-2	TAPPING SCREW 4X18	4				
030		413602-7	REAR COVER	1				
031		620F48-8	LED CIRCUIT	1				
032		413603-5	F/R CHANGE LEVER	1				
033		140U03-9	SWITCH COMPLETE	1				
	C10	424774-3	SWITCH COVER	1				
034		183S74-1	HOUSING SET	1				
	D10		INC. 27					
035		8012S9-8	SWITCH LABEL	1				
036		424773-5	CUSHION RUBBER	2				
037		8005T5-8	XGT LOGO LABEL	1				
038		183S77-5	BATTERY HOUSING SET	1				
	C10	263005-3	RUBBER PIN 6	2				
	C20	252126-6	HEX. LOCK NUT M4-7	2				
	D10		INC. 40					
039		632R99-1	TERMINAL UNIT	1				
040		183S77-5	BATTERY HOUSING SET	1				
	C10	263005-3	RUBBER PIN 6	2				
	C20	252126-6	HEX. LOCK NUT M4-7	2				
	D10		INC. 38					
042		811F57-0	TW007G SERIAL NO. LABEL	1				
A01		251314-2	+ SCREW M4X12	1				
A02		346949-3	HOOK	1				
A03B		821551-8	CONNECTOR PLASTIC CASE (TYPE3)	1				
	C10	453974-8	LATCH	4				
A04B		835K85-1	INNER TRAY	1				
A07B		412393-7	BATTERY COVER	2			DA630	
A07-1B		412393-7	BATTERY COVER	1	<	DA630		
A08B		***DC40RA	DC40RA FAST CHARGER	1				
	D10		COMPO-PARTS					
A09B		191B26-6	BATTERY BL4040 SET	2				

B:TW007GM201(H)

Interchange
 O : Yes
 X : No
 < : the new part can be substituted for the current.
 > : the current part can be substituted for the new.
 S : Interchangeable as a set.